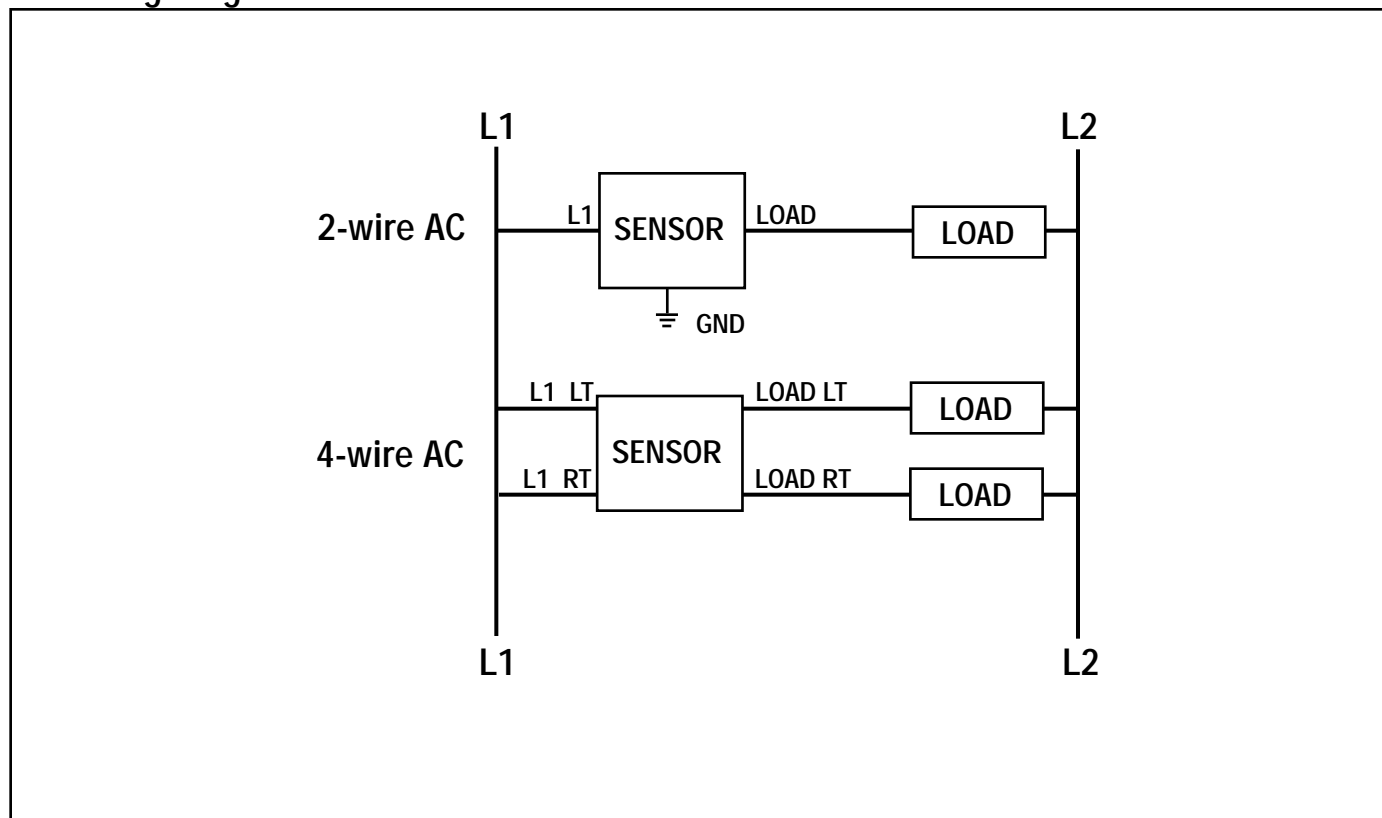


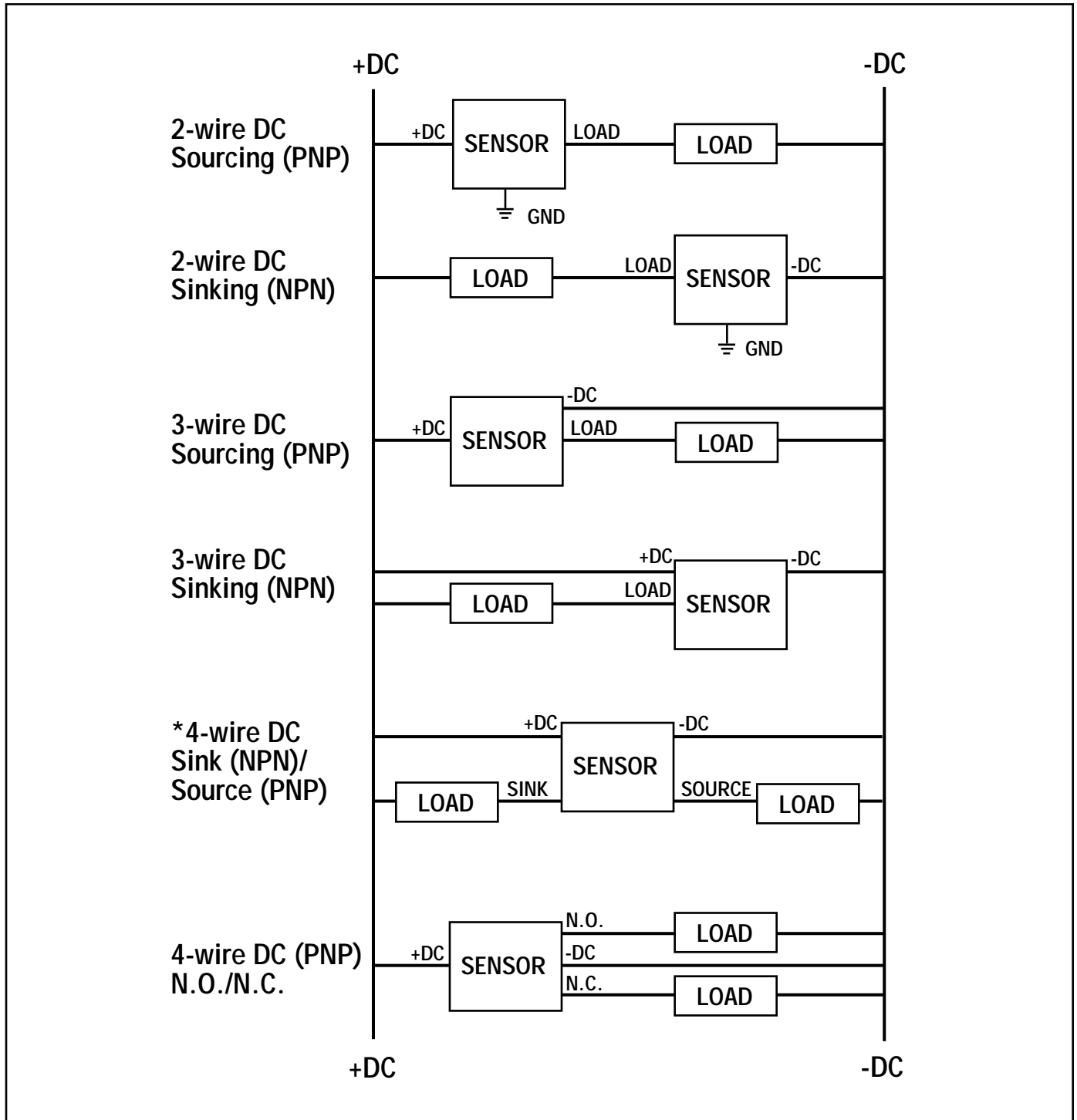
Notes:

1. These diagrams are valid for sensors with cables and connectors.
2. Sensors may or may not have ground connections or grounded housings. Refer to the specific connector or cable diagram for your particular sensor's model number to determine if it is grounded.
3. The markings on these wiring diagrams (L1, Load, etc.) are identical to those on the connector diagrams.
4. All switches are Normally Opened (N.O.) unless specifically marked Normally Closed (N.C.).
5. All switch outputs are Sourcing unless specifically marked Sink.

AC Wiring Diagrams



DC Wiring Diagrams



* Can be used as a single sink or source switch. When both outputs are used simultaneously, the sum of the load currents must not exceed maximum rating of sensor!

NAMCO

2013 West Meeting Street • Lancaster, SC 29720
 1-803-286-8491 • FAX: 1-800-678-6263
www.namcocontrols.com

For technical assistance, call 1-800-NAMTECH